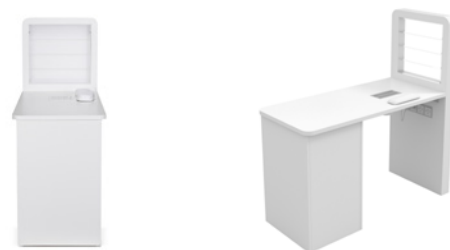


MARION

Manicure table

DESCRIPTION

Manicure table with LED display for enamels with light switch.
Equipped with a nail vacuum cleaner with dust collector, PVC hand cushion and storage column with 2 drawers.



CHARACTERISTICS

MATERIAL

MFC board with 25mm melamine panel.

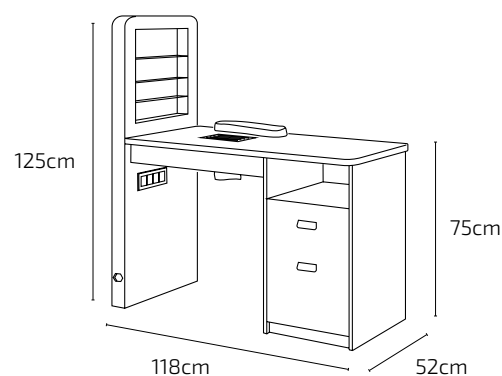
Stands of methacrylate

SPECIFICATIONS

4-pin power socket included (max 2000w)

COLOUR

White



PESO · WEIGHT · POIDS



61,18Kg

VOLUMEN · VOLUME



1,41m³

CAJAS · BOXES · CARTONS



1. 53x47x79cm
2. 133x60x19cm