

RITA

Stool

DESCRIPTION

Stool equipped with 3 gas pistons to adjust the height, the inclination of the backrest and the inclination of the seat.

Seat in flat and circular shape and wrapping backrest and silicone wheels with smooth rolling, great grip and long life.



CHARACTERISTICS

MATERIAL

Upholstered in PVC fire retardant

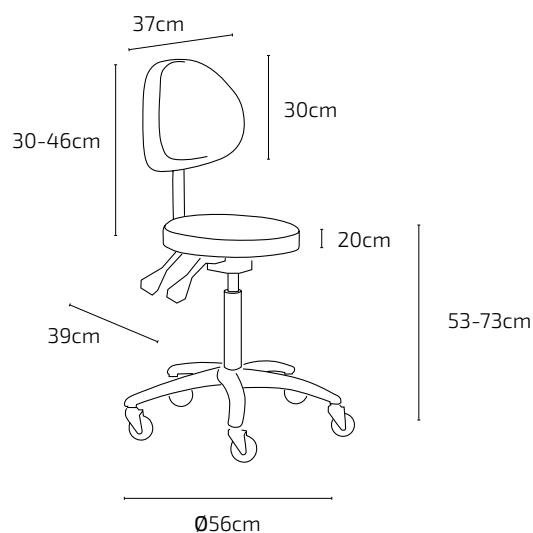
Star base 5 nylon aluminium

SPECIFICATIONS

Fast recovery high density foam.

COLOUR

Black



PESO · WEIGHT · POIDS



Kg

VOLUMEN · VOLUME



0,10m³

CAJAS · BOXES · CARTONS



1 61 x 55 x 31cm