

ELI XS

Stool

DESCRIPTION

Stool equipped with 3 gas pistons to adjust the height, the inclination of the backrest and the inclination of the seat.

Seat in the form of a saddle and wraparound backrest. Silicone wheels with smooth rolling, great grip and long life.



CHARACTERISTICS

MATERIAL

Upholstered in PVC fire retardant

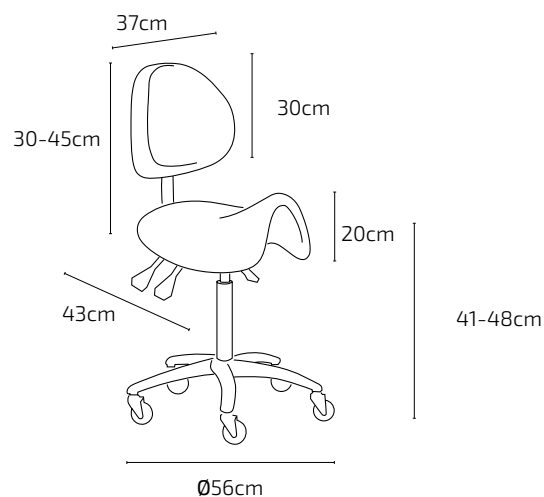
Star base 5 nylon aluminium

SPECIFICATIONS

Fast recovery high density foam.

COLOUR

White



PESO · WEIGHT · POIDS



Kg

VOLUMEN · VOLUME



0,10m³

CAJAS · BOXES · CARTONS



1 61 x 55 x 31cm