

# NILSA

## Fixed bed

### DESCRIPTION

Bed with 2 bodies with stable and robust structure.

Fixed height The inclination of the backrest is regulated manually. Lower shelf for storage.



### CHARACTERISTICS

#### MATERIAL

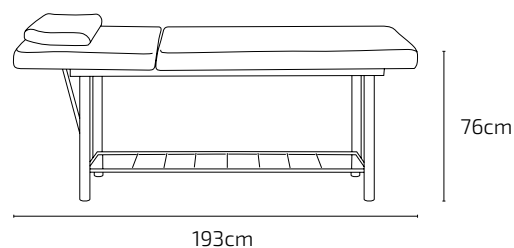
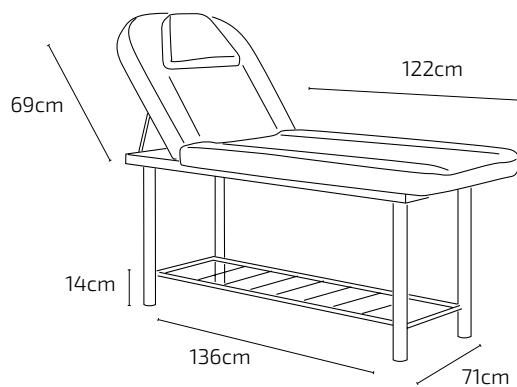
Upholstered PVC fire retardant  
Fast recovery high density foam

#### SPECIFICATIONS

Removable headrest cushion and facial hole

#### COLOUR

White



PESO · WEIGHT · POIDS

VOLUMEN · VOLUME

CAJAS · BOXES · CARTONS



**16 Kg** base  
**18 Kg** Cushion



**0,37m<sup>3</sup>**



**1.** 153 x 58 x 15cm | base  
**2.** 127 x 76 x 25cm | cushion